

# RON Crane Scales

## Measuring Excellence



### RON 2501 Shackle Type - Dynamometer with wireless Remote Display

The smallest, lightest and most versatile wireless dynamometer. The RON 2501 is especially suitable for hot industries, for use during casting and forging in foundries etc, as well as in a variety of additional applications. The batteries will function for at least 2000 hours! The RON 2501 has an internal mechanism to ensure that the received and indicated value is identical to the transmitted value. Under no circumstances will it indicate a different value than the transmitted one. This is an important safety feature.

The small size of the wireless load cell ensures portability and low headroom loss for any application.

The unique perpendicular hole structure of the wireless load cell neutralizes external moments thus improving safety and accuracy.

All RON crane scales and dynamometers are fully tested and supplied with a test certificate, including a fully traceable calibration chart.

#### Specifications

**Range:** Up to 100 yards / meters (outdoor, line of sight).

**Safety Factor:** Designed to 5:1.

**Proof Load:** Each system proof-loaded to 200% of capacity (certified) up to a test force of 400t.

**Accuracy:** ± 0.1% of full range.

**Display:** 5 digit, 1/2" (12mm) liquid crystal display and annunciator; two-level overload state, max. value (peak hold), low battery (load cell and indicator), tare state (gross or net), measuring units, charge, and programming instructions. Standard number of measurements per second: 1.

**Functions:** Zero. Tare. Low battery warnings: one for the load cell battery and the other for the hand-held indicator, displayed on the latter. Max. (peak hold). Two-level overload visual alarms. User calibration.

**Units:** available in the following measurement readings: metric tons, short tons (2000 lbs), kgs, lbs (lbs x 10 for capacities of 50t and above), newtons, deca newtons, k. newtons.

**Load Cell Material:** Made of high-strength, aerospace quality, alloy steel, polyurethane coated.

**Indicator Material:** High quality ABS.

**Power:** 3 x AA ("finger") 1.5 Volt Alkaline disposable batteries in the hand-held indicator and additional 4 in the load cell. Batteries rated 3AH will function for at least 1500 hours (more than two months of continuous working). Occasional use will extend the life of the batteries up to several years. Adding certain options will shorten the life of the batteries. All settings retained at power off.

**Calibration:** User calibration. Initial factory calibration, fully traceable (certified).

**Temperature Range:** Load cell: -15°F to +175°F (-25°C to +80°C). Indicator: -4°F to +158°F (-20°C to +70°C).

**Environmental:** Weather proof, NEMA 4, IP65.



Shackles not included

#### Options

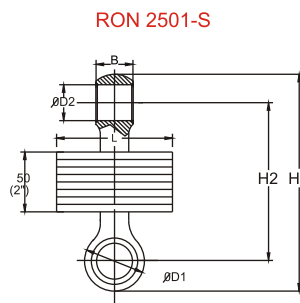
- 1 or 2 user-adjustable set points
  - Additional 2"/50mm LCD display with cable connection to indicator
  - Additional 4"/100mm LED display with cable connection to indicator
  - Additional wireless ABS indicator 0.5"/12mm digits
  - Additional wireless aluminum indicator 1"/25mm digits
  - Baud rate, user-selectable
  - Carrying case
  - Dampened (average) display for unstable load
  - Data logger – up to 600/3000/6000 measurements
  - Fatigue rated load cell
  - Indicator belt clip
  - IP 67 offshore sealing level
  - Number of measurements per second: 2,3, factory set
  - Real-time clock
  - Rechargeable batteries with an external charger for charging the batteries inside the system
  - Robust, extruded aluminum, hand-held indicator (1"/25mm digit height)
  - Rope falls multiplier, user-selectable
  - RS-232 - continuous or on demand data output, user-selectable
  - RS-485 - continuous or on demand data output, user-selectable
  - Summary of up to 8 different load cell measurements
  - Totalizer
  - Units, user-selectable
- For hot industries:
- Heat shield for the load cell
  - Internal load cell thermometer for load cell temperature display on the hand-held indicator



Optional heat shield



Optional carrying case



Cat. No.	Full Range			Resolution		Load Cell Weight		h1 (max.)	h2 (max.)	b (max.)	l (max.)	Ød1 (max.)	Ød2 (min.)	Matching anchor Shackle size*				
	tons	kgs	lbs	kgs	lbs	mm	inch											
S-005	0.5	0.2	0.5	1.1	2.5	125	4.9	92	3.7	16	0.7	110	4.4	31	1.3	17	0.66	1/2, 7/16, 3/8
S-01	1	0.5	1	1.1	2.5	125	4.9	92	3.7	16	0.7	110	4.4	31	1.3	17	0.66	1/2, 7/16, 3/8
S-02	2	1	2	1.1	2.5	125	4.9	92	3.7	16	0.7	110	4.4	31	1.3	17	0.66	1/2, 7/16, 3/8
S-03	3	1	2	1.1	2.5	140	5.5	100	4	19	0.75	110	4.4	38	1.5	21	0.82	9/16, 1/2
S-05	5	2	5	1.2	2.7	150	5.9	105	4.2	26	1	115	4.7	45	1.75	23	0.9	3/4, 1/2
S-10	10	5	10	2	4.5	200	7.9	135	5.3	41	1.6	120	4.8	63	2.5	36	1.4	1 1/4, 1 1/8, 1
S-12	12.5	5	10	2	4.5	200	7.9	135	5.3	41	1.6	120	4.8	63	2.5	36	1.4	1 1/4, 1 1/8, 1
S-15	15	5	10	3.3	7.3	225	8.8	145	5.7	53	2.1	125	5	75	3	40	1.55	1 3/8
S-20	20	10	20	3.3	7.3	225	8.8	145	5.7	53	2.1	125	5	75	3	40	1.55	1 3/8
S-25	25	10	20	4	9	240	9.4	150	5.9	58	2.3	130	5.2	87	3.4	44	1.7	1 1/2
S-30	30	10	20	4	9	240	9.4	150	5.9	58	2.3	130	5.2	87	3.4	44	1.7	1 1/2
S-40	40	20	50	8	18	320	12.6	195	7.7	71	2.8	140	5.6	115	4.5	60	2.3	2, 1 3/4
S-50	50	20	50	8	18	320	12.6	195	7.7	71	2.8	140	5.6	115	4.5	60	2.3	2, 1 3/4
S-80	80	50	100	17	38	405	16.9	255	10	97	3.8	155	6.2	145	5.7	76	3	2 1/2
S-125	125	50	100	27	60	460	18.2	290	11.5	121	4.8	165	6.6	165	6.5	81	3.18	CROSBY No. 2160 125t
S-200	200	100	200	55	121	575	22.6	350	13.8	145	5.7	200	8	210	8.3	106	4.2	CROSBY No. 2160 200t
S-250	250	100	200	103	227	850	33.5	510	20.1	178	7.0	245	9.7	254	10	133	5.2	CROSBY No. 2140 250t, or No. 2160 300t
S-300	300	100	200	103	227	850	33.5	510	20.1	178	7.0	245	9.7	254	10	133	5.2	CROSBY No. 2160 300t

\* USE SHACKLES WITH S.W.L. (SAFE WORKING LOAD) EQUAL TO, OR GREATER THAN SYSTEM'S FULL RANGE.

\* The company reserves the right to make changes without notice.